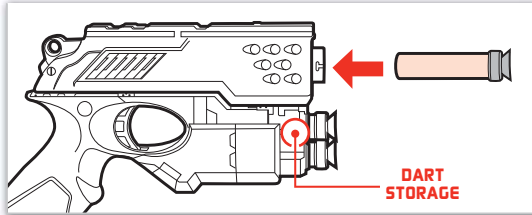
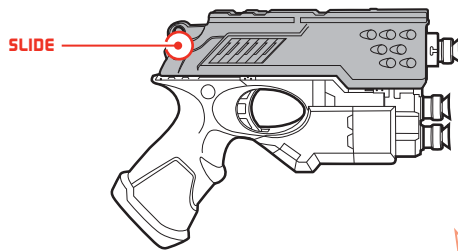
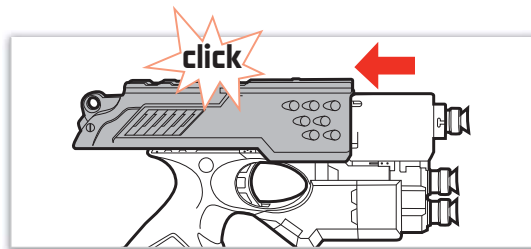


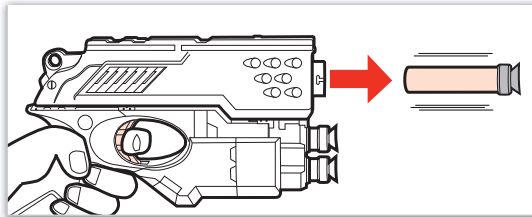
LOADING AND FIRING THE SCOUT IX-3



1

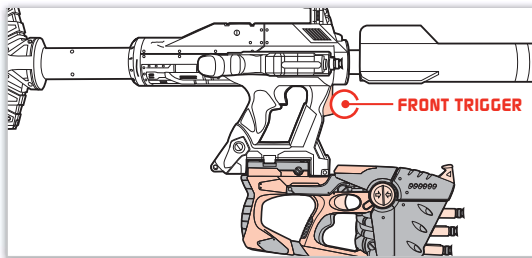


2 Pull SLIDE back until it clicks.

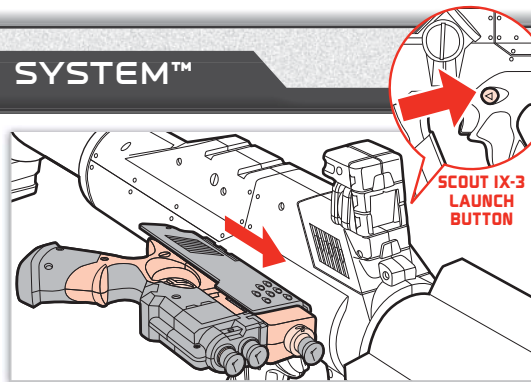


3 Pull the trigger to launch 1 dart.

BUILDING THE UNITY POWER SYSTEM™



1 Snap HORNET AS-6 into place. To remove the HORNET AS-6, hold the TITAN AS-V1 straight, tilt the HORNET AS-6 to the right, and pull down. To fire the HORNET AS-6, press the front TRIGGER on the TITAN AS-V1.



2 Slide/snap SCOUT IX-3 onto the TACTICAL RAIL on the side of the TITAN AS-V1. Cock SCOUT IX-3 by pushing it forward. Fire by pressing LAUNCH BUTTON on the opposite side of the TITAN AS-V1.

NOTE: Follow instructions above to arm and fire TITAN AS-V1 and HORNET AS-6 blasters when they are combined.

NERF®

CAUTION:

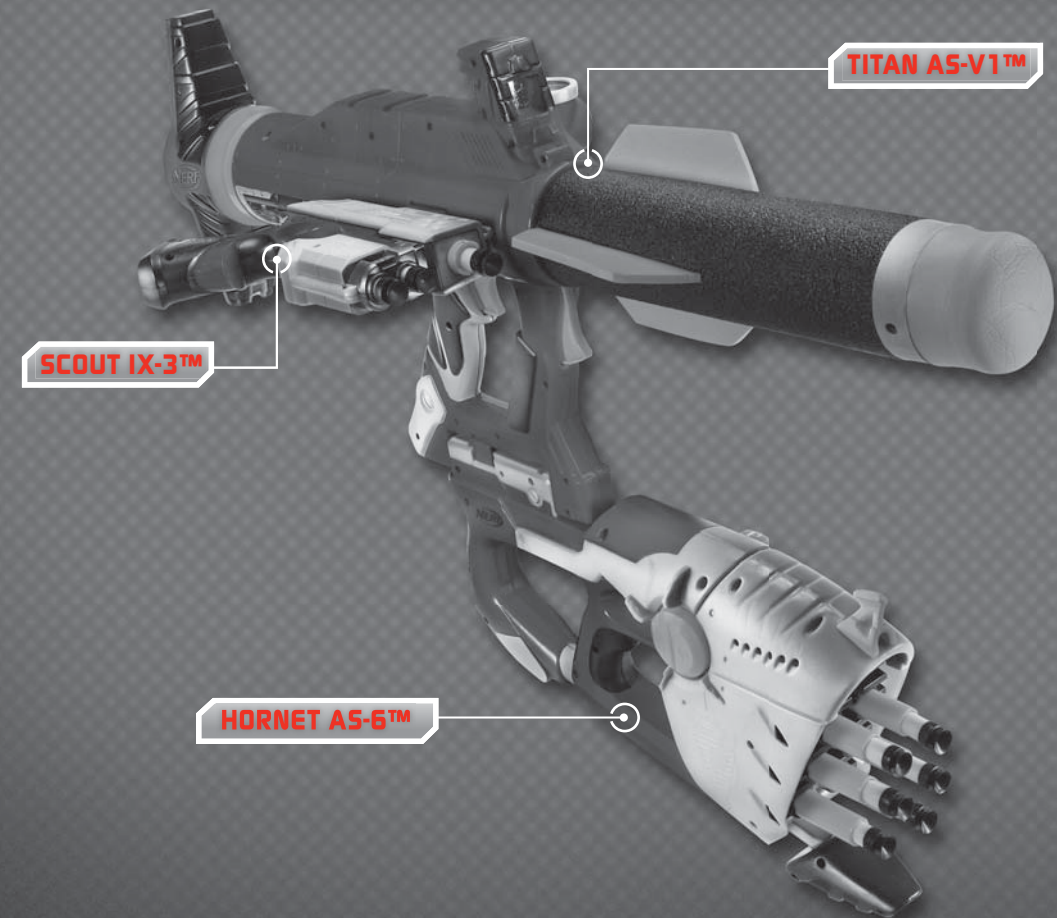
Do not aim at eyes or face. TO AVOID INJURY: Use only darts designed for this product. Do not modify darts or dart blasters.

AGES 8+



UNITY POWER SYSTEM™

Be sure to read and follow all instructions carefully before using this product.



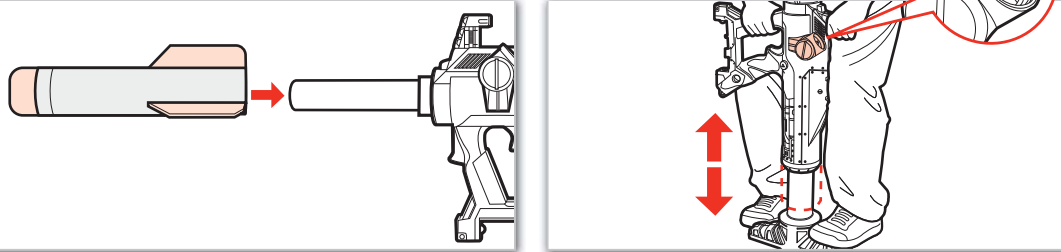
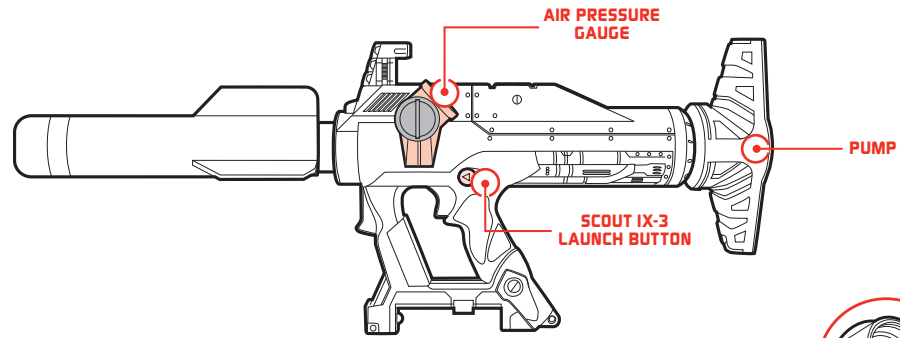
© 2010 Hasbro. All Rights Reserved.
TM & © denote U.S. Trademarks.
PATENTED U.S. Pat. Nos. 5529050, 7287526 & 7267118.
27347 PN 7072830000

Product and colors may vary.

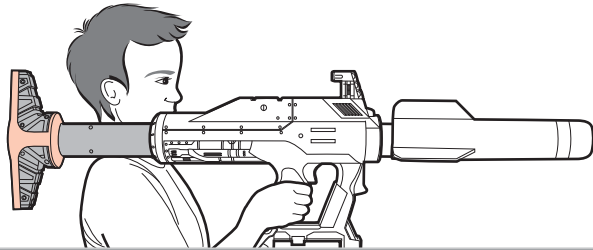
NERF.COM
FOR NEW PRODUCTS AND OFFERS

Questions? Call: 1-800-327-8264

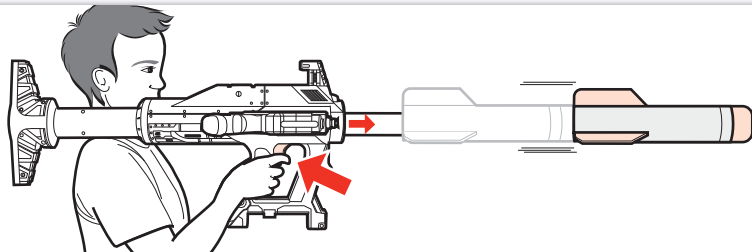
LOADING AND FIRING THE TITAN AS-V1



Pump 16-20 times to pressurize.



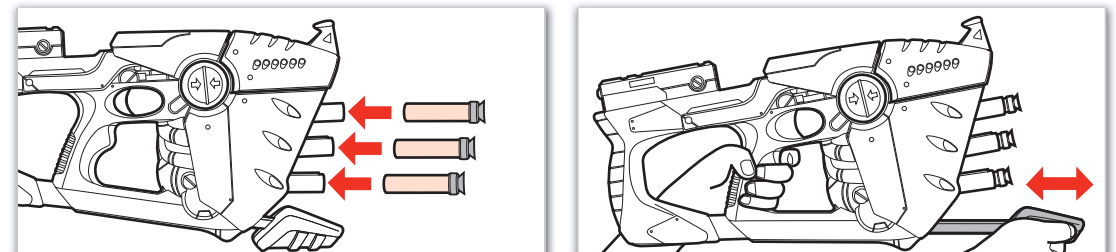
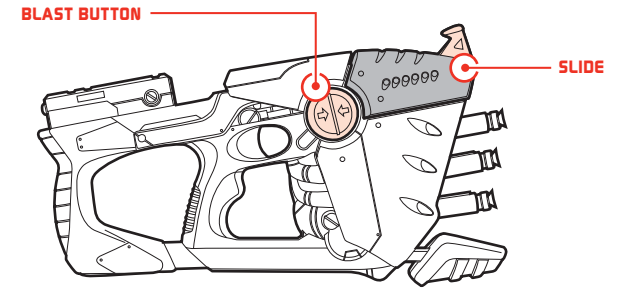
3



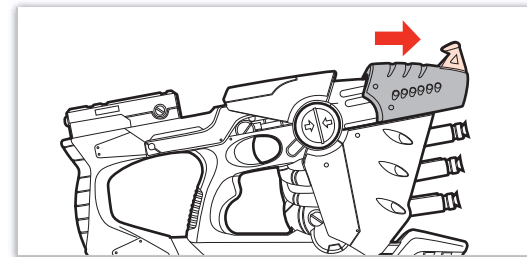
4 Pull TRIGGER to launch.

NOTE: The TITAN AS-V1 must be held at a 45° angle or lower to function.

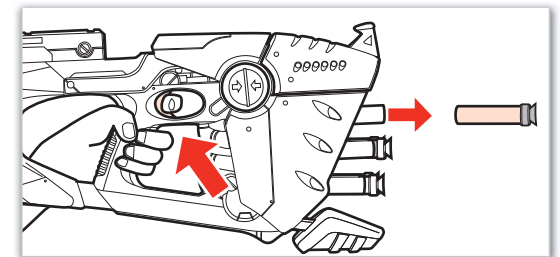
LOADING AND FIRING THE HORNET AS-6



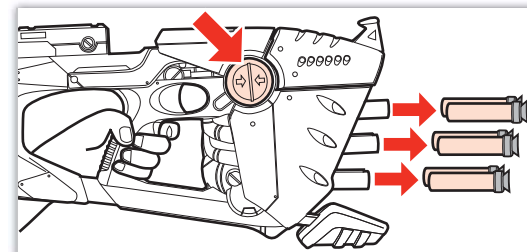
Pump 20-25 times to pressurize.



3 Push SLIDE all the way forward, then pull all the way back to arm.



4 Pull the trigger to launch 1 dart. Every pull of the TRIGGER will launch one dart.



5 Press one or both BLAST BUTTONS to launch all darts.